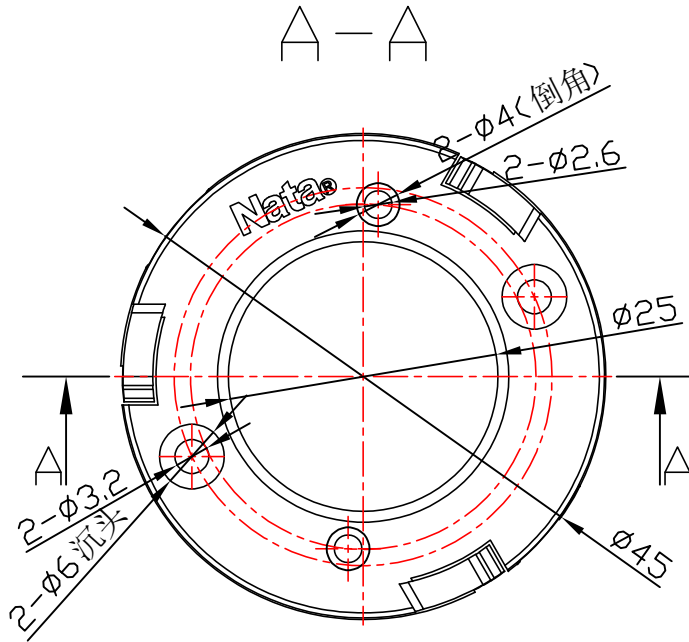
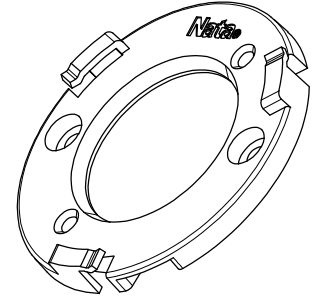
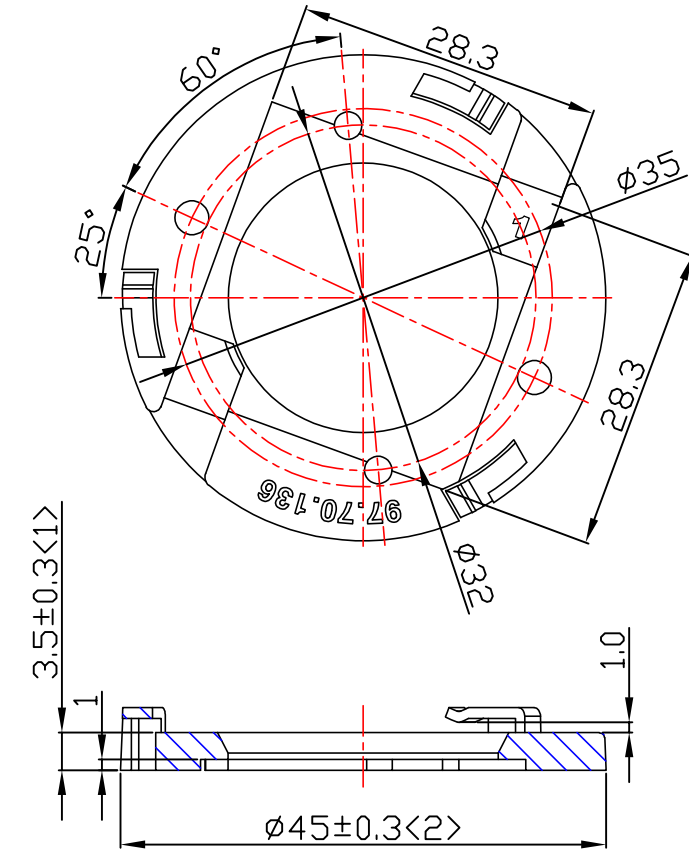


"*" MARK AS CRITICAL SIZE

UNDEFINED TOLERANCE REFER TO
GB/T14486-2008-MT6

UNIT:MM



MARK	NO. OF MODIF.	MODIFICATIONS	SIGNED BY	MODIF. DATE
设计		制图	比例	1:1
DESIGNER		DRAWN BY	SCALE	
工艺		审核	视角	
TECHNICAN		CHECKED BY	1st ANGLE PROJECTION	
批准		日期	页数	1 OF 1
APPROVED BY		DATE(DD-MM-YYYY)	PAGE	SHEET
		01-06-2017		

MATERIAL: PC FINISH: N/A		P/N: 92.70.136.00	版本/REV KO
		产品名称 PRODUCT NAME	CLU04x 支架 D45xH3.5
		客户代号 CUSTOMER ID	NT
		客户编号 CUSTOMER CODE	
ENGINEERING DRAWING			Nata